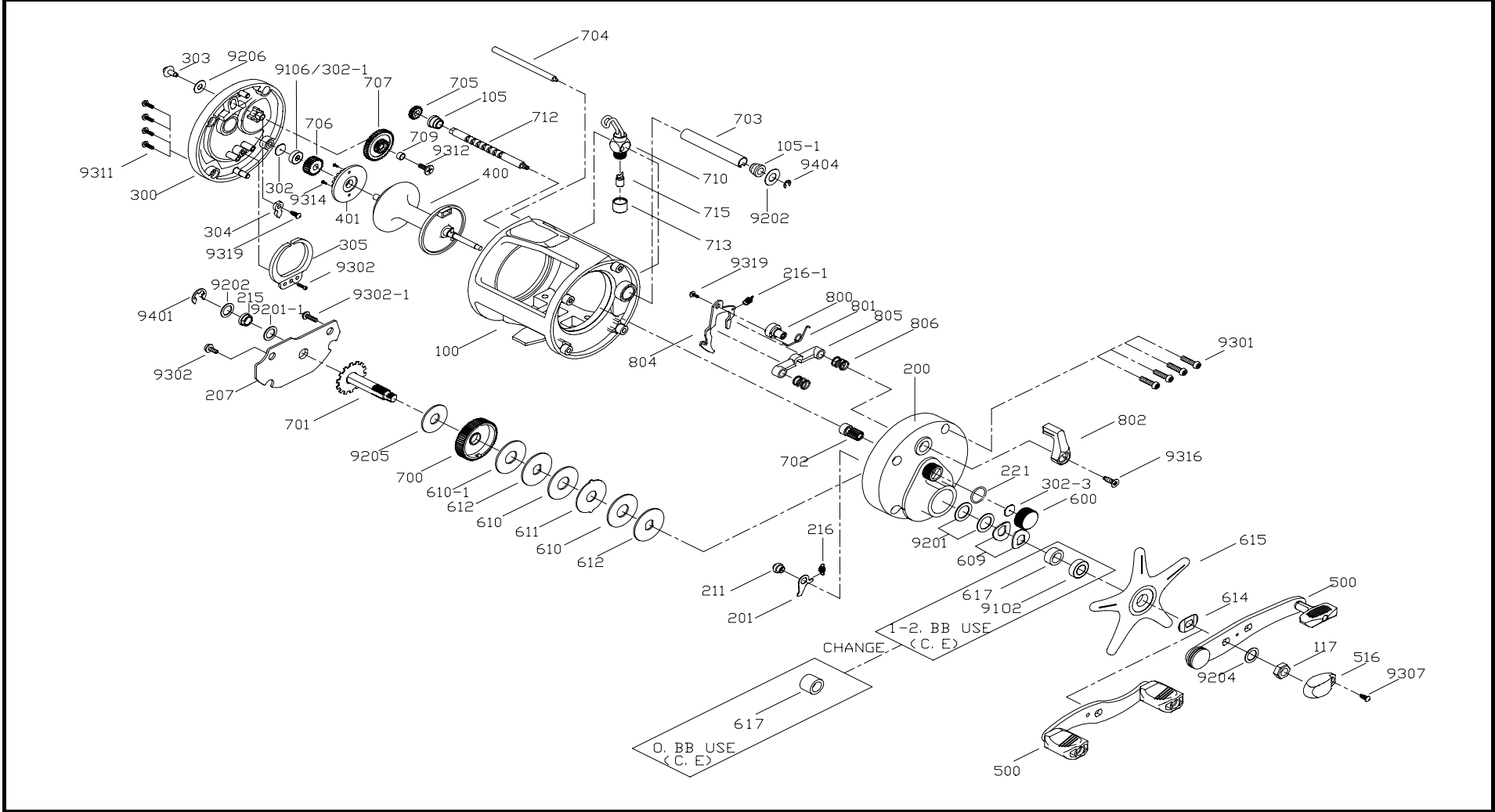




Star Drag

CL 200L, 202L



CL 200L, 202L SPARE PARTS LIST

KEY NO.	PARTS NAMES	PARTS NO.	200L	202L	KEY N.	PARTS NAMES	PARTS NO.	200L	202L
100	MAIN BODY ASSY.	11100027111	•	•	701	DRIVE GEAR SHAFT ASSY.(MAMAL TIP)	1170100903001	•	•
105	WORM SHAFT BUSHING	11105003-01	•	•	702	PINION GEAR	1170201103002	•	•
105-1	WORM SHAFT BUSHING	11105004-01	•	•	703	LEVEL WIND GUARD	11703009-03	•	•
117	HANDLE NUT	14117001-03	•	•	704	STABILIZER BAR	11704008-03907	•	•
200	RIGHT SIDE PLATE	11200035-01001	•	•	705	WORM SHAFT GEAR	11705006-06	•	•
201	ANTI-REVERSE PAWL	11201008-06	•	•	706	IDLE GEAR	11706002-06	•	•
207	HOLD PLATE	11207017-03001	•	•	707	MEDIUM TRANSMISSION GEAR	11707008-11	•	•
211	ANTI-REVERSE PAWL PIN	11211003-03001	•	•	709	TRANSMISSION GEAR BUSHING	11709002-03	•	•
215	HOLD PLATE BUSHING	11215009-03001	•	•	710	LINE GUIDE ASSY.	1171000906	•	•
216	ANTI-REVERSE PAWL SPRING	11216001-06	•	•	712	WORM SHAFT	11712019-03	•	•
216-1	CLUTCH CAM SLIDER SPRING	11216002-06	•	•	713	PAWL CAP	11713001-03907	•	•
221	O RING	11221001-07	•	•	715	LINE GUIDE PAWL	11715003-06	•	•
300	LEFT SIDE PLATE	11300030-01001	•	•	800	CLUTCH CAM	11800002-02002	•	•
302	SPACER	11302002-06001	•	•	801	CLUTCH CAM SPRING	11801001-06	•	•
302-1	SPOOL SHAFT BUSHING	11302005-03	•	•	802	CLUTCH BAR	11802003-01	•	•
302-3	SPACER	11302006-03	•	•	804	CLUTCH CAM SLIDER (MAMAL TIP)	11804004-06	•	•
303	CLICK BUTTON	11303007-03907	•	•	804	CLUTCH CAM SLIDER (AUTO TIP)	11804005-06	•	•
304	CLICK PAWL	11304003-06	•	•	805	PINION GEAR YOKE	11805002-01	•	•
305	CLICK PAWL SPRING	11305001-01001	•	•	806	YOKE SPRING	11806001-06	•	•
311	SIDE PLATE COVERS	11311007-06001			9102	BALL BEARING	01081605-61		•
400	GRAPHITE SPOOL ASSY.	11400029-01001C	•	•	9106	BALL BEARING	01041104-61	•	•
401	CLICK GEAR	11401001-05002	•	•	9201	DRIVE GEAR SHAFT WASHER	028.1x12x0.5-6	•	•
500	DOUBLE HANDLE ASSY.	1150000504907	•	•	9201-1	DRIVE GEAR SHAFT WASHER	025.1x8x0.2-6	•	•
500	BALANCE WEIGHT HANDLE ASSY.	1150001304907	•	•	9202	LEVEL WIND GUARD WASHER	025.1x10.5x.2-6	•	•
516	HANDLE NUT HOLDER	11516001-01	•	•	9205	DRIVE GEAR WASHER	028.2x22x1-1	•	•
600	CAST CONTROL CAP	11600014-03001	•	•	9206	CLICK BUTTON WASHER	024.05x10x0.2-8	•	•
609	DRAG SPRING WASHER	11609003-05907	•	•	9301	RIGHT SIDE PLATE SCREW	03422.6x13-61	•	•
610	DRAG WASHER	11610004-006	•	•	9302	CLICK PAWL SCREW	03327.52.6x6-61	•	•
610-1	DRAG WASHER	11610003-006	•	•	9302-1	HOLD PLATE SCREW	03327.52.67.561	•	•
611	EARED WASHER	11611005-06	•	•	9307	HANDLE NUT HOLDER SCREW	03412.6x4-61	•	•
612	KEY WASHER	11612007-06001	•	•	9311	LEFT SIDE PLATE SCREW	03122.6x8-61	•	•

612-1	KEY WASHER	11612007-06003	•	•	9312	TRANSMISSION GEAR SCREW	03325.2x2x4.561	•	•
614	TENSION WASHER	11614001-06	•	•	9314	CLICK GEAR SCREW(GRAPHITE SOOL USED)	03222x4.5-61	•	•
615	STAR DRAG	11615003-01	•	•	9316	CLUTCH BAR SCREW	03414x5-617	•	•
617	DRIVE GEAR SHAFT BUSHING	11617005-03	•	•	9319	CLUTCH CAM SCREW	03312x5-61	•	•
617	DRIVE GEAR SHAFT BUSHING	11617006-01		•	9401	DRIVE GEAR SHAFT "E" RETAINER	11900001-06	•	
700	DRIVE GEAR	11700008-03002	•		9404	WORM SHAFT "E" RETAINER	12900001-06		•
701	DRIVE GEAR SHAFT ASSY.(AUTO TIP)	1170100903001A	•	•					